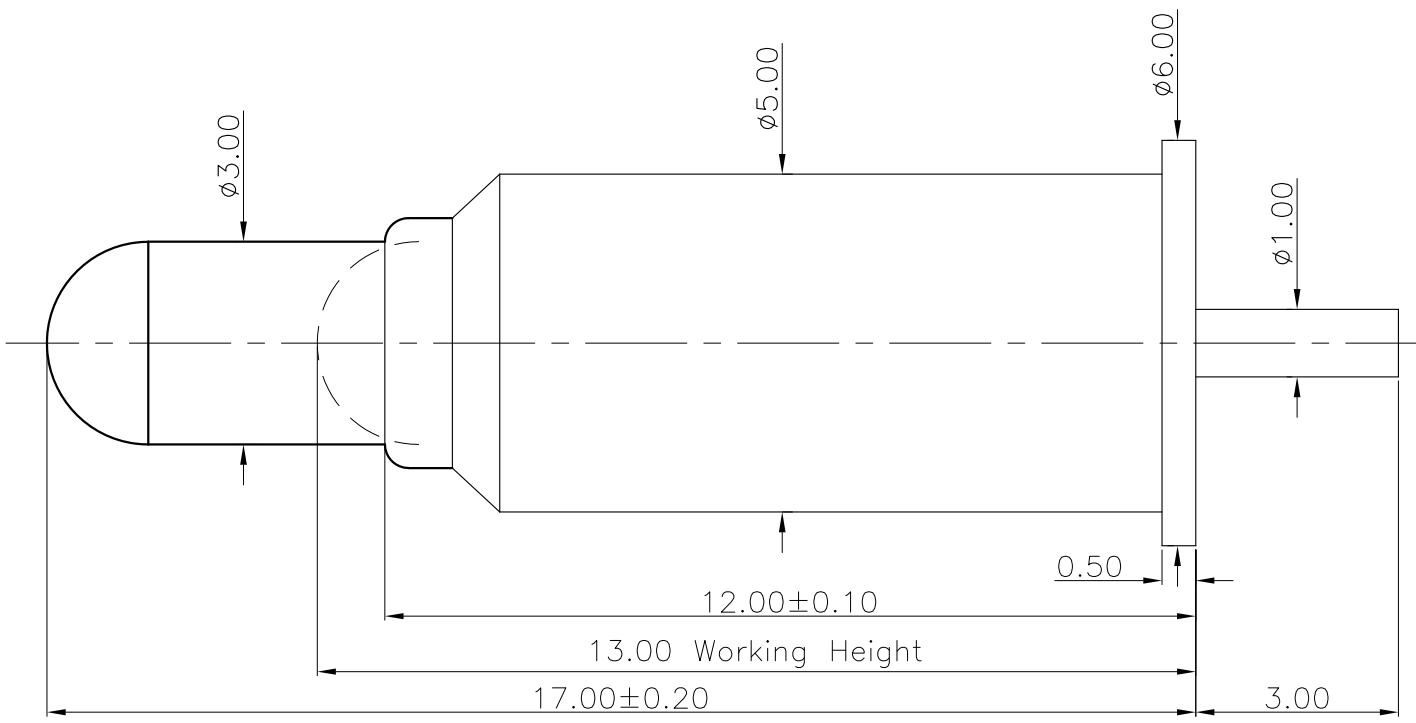


Please Approve this Drawing	
Date	
Signature	

NO.	Part Name	Q'TY	Material	Plated surface
1	Plunger	1	无铅铜	Au 5u" Min. OVER 50~120 U" NI
2	Barrel	1	无铅铜	Au 3u" Min. OVER 50~120 U" NI
3	Spring	1	SUS 304	/
4				



- NOTES:
- Electrical
 - .Rated Current & Voltage : DC 12 V ; 3.0A Max.
 - .Contact Resistance: 50 mohm maximum at Working Height(Quiescence)
 - Mechanical
 - .Full store: 5.00 mm
 - .Working Store: 4.00 mm
 - .Spring Force: 120gf \pm 20%gf at Working Height
 - .Durability:50,000 cycles(minimum)
 - Environmental
 - .Operating Temperature: $-40^{\circ}\text{C} \sim +85^{\circ}\text{C}$
 - .Humidity Range: 10%RH \sim 90%RH
 - .Salt Spray: 48 Hours
 - When the current is greater than 1A then need to increase the time delay circuit(3 second)
 - To avoid arcing issue, The adaptor start to power supply after connector mated fully.
 - To ensure the best usage,please operate it based on the working height.
 - .RoHs&HF compliant product.

VER.	DESCRIPTION	ECN NO.	DATE

DRAWN	lys	DATE	2021.08.24			东莞市双盟电子有限公司			
CHECKED		SCALE	10:1	VER.	A.0				
APPROVED		TITLE	PoGo Pin			Ang:	Dim:		
PROJECT		DRAWING NO.	PPM.01-735-0502			0 $\pm 1^{\circ}$	0	± 0.15	
SHEET	1 of 1	UNIT	mm			.0 $\pm 0.5^{\circ}$.0	± 0.10	
						.00 $\pm 0.25^{\circ}$.00	± 0.05	