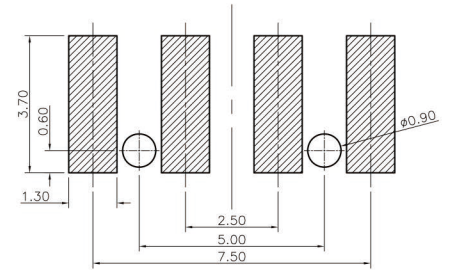
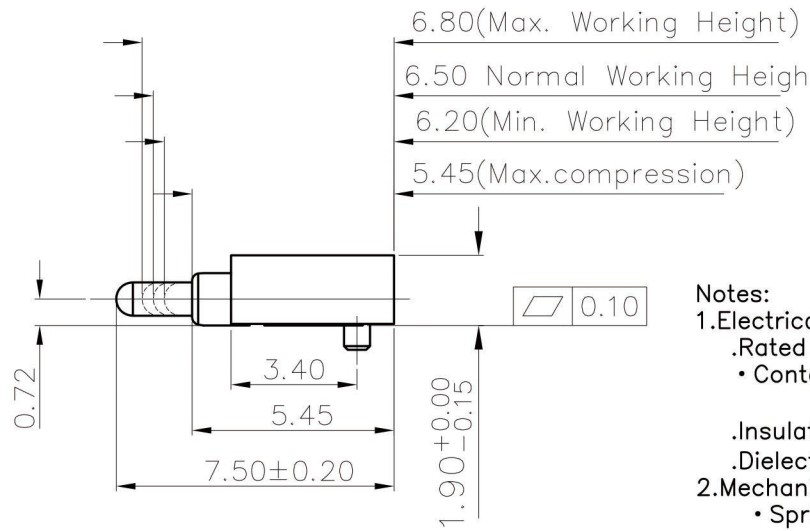
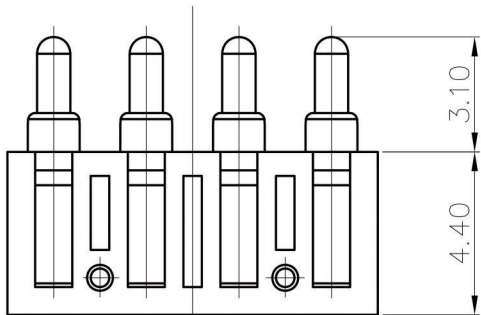
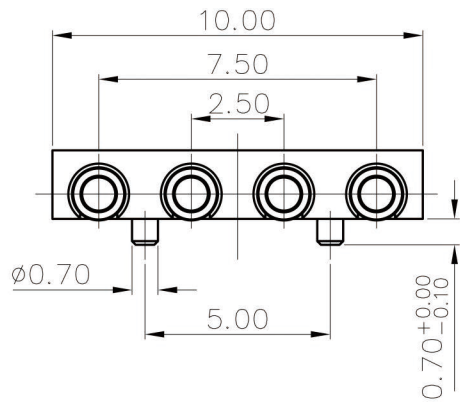
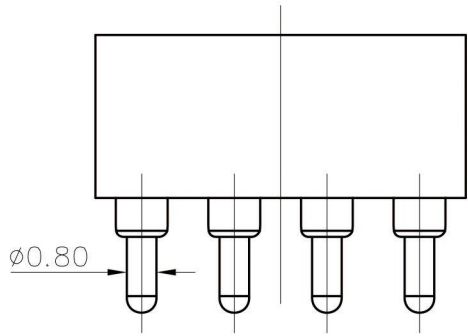


Please Approve this Drawing

Date _____

Signature _____

NO.	Part Name	Q'TY	Material	Plated surface
1	Plunger	1	C3604	AU 1 U" MIN OVER 50~100 U" NI
2	Barrel	1	C3604	AU 1 U" MIN OVER 50~100 U" NI
3	Spring	1	SUS304	Gold flash
4	HOUSING	1	LCP	Not Plated



PCB Layout Recoment

Notes:

1. Electrical
 - Rated current & voltage: DC 12 V; 1.0A Max.
 - Contact Resistance: 50 mohm maximum at Working Height (quiescence)
 - Insulation Resistance: 1000 MOhm Min. at 500V DC
 - Dielectric Withstanding Voltage: AC 500V/Minute
2. Mechanical
 - Spring Force :50gf±8gf At Working Height
 - Durability: 10,000 Cycles (minimum)
3. To ensure the best usage, please operate it based on the working Height. Based on the Engineering Drawings, shall not exceed the maximum allowed compression
4. ROHS&Halgen Free Compliant

DRAWN	Roy	DATE	2018.03.06		东莞市双盟电子有限公司	
CHECKED		SCALE	10:1	VER. B.1		
APPROVED		TITLE	pogo pin connector.		Ang:	Dim:
PROJECT		DRAWING NO.	PPM.04-147-0302		0 ±1°	0 ±0.15
SHEET	1 of 1	UNIT	mm		.0 ±0.5°	.0 ±0.10
					.00 ±0.25°	.00 ±0.05

VER.	DESCRIPTION	ECN NO.	DATE

Please Approve this Drawing

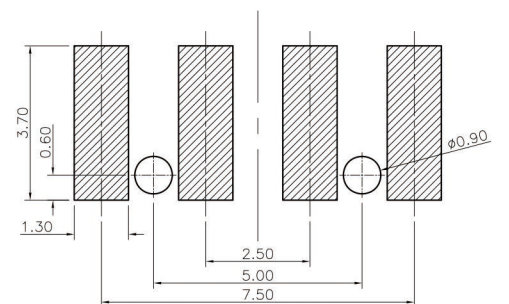
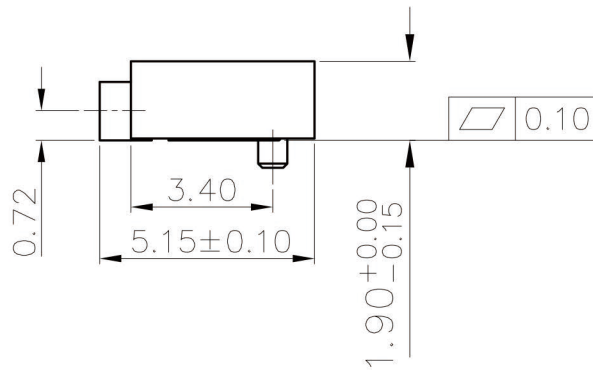
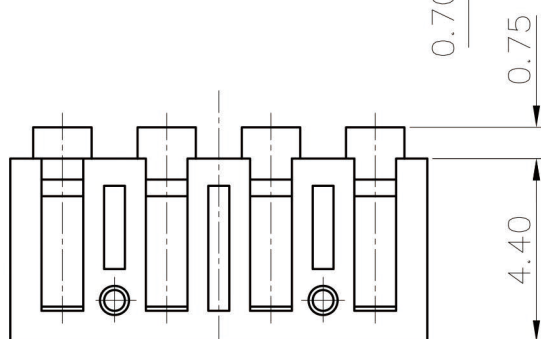
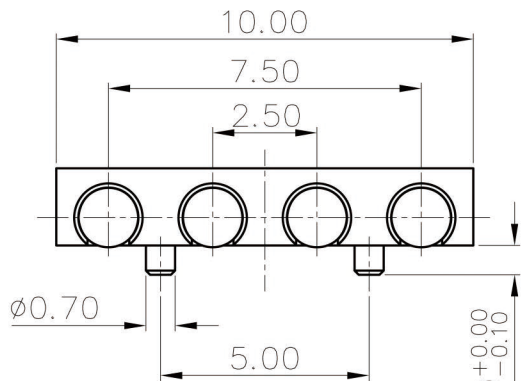
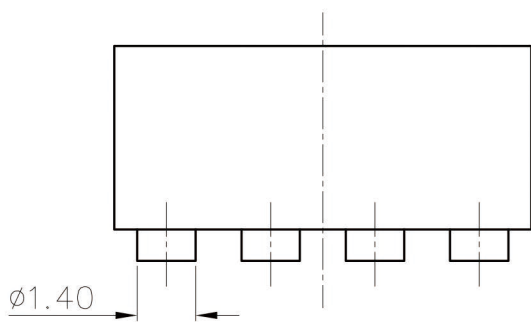
Date _____

Signature _____

NO.	Part Name	Q'TY	Material	Plated surface
1	Pin	4	C3604	AU 1 U" MIN OVER 50~100 U" NI
2	HOUSING	1	LCP	Not Plated

Notes:

1. Electrical
 - Rated current & voltage: DC 12 V; 1.0A Max.
 - Contact Resistance: 50 mohm maximum at Working Height (quiescence)
 - Insulation Resistance: 1000 MOhm Min. at 500V DC
 - Dielectric Withstanding Voltage: AC 500V/Minute
2. To ensure the best usage, please operate it based on the working Height. Based on the Engineering Drawings, shall not exceed the maximum allowed compression
3. ROHS&Halgen Free Compliant



PCB Layout Recoment

DRAWN	Roy	DATE	2017.11.24		东莞市双盟电子有限公司	
CHECKED		SCALE	10:1	VER. B.0		
APPROVED		TITLE	pogo pin connector.		Ang:	Dim:
PROJECT		DRAWING NO.	PPF.04-147-0301		0 ±1°	0 ±0.15
SHEET	1 of 1	UNIT	mm		.0 ±0.5°	.0 ±0.10
					.00 ±0.25°	.00 ±0.05

VER.	DESCRIPTION	ECN NO.	DATE