

Please Approve this Drawing

Date

Signature

NO.	Part Name	Q'TY	Material	Plated surface
1	Plunger	6	无铅铜	Au 5u" Min. Over 50u" Min. Ni
2	Barrel	6	无铅铜	Au 5u" Min. Over 50u" Min. Ni
3	Spring	6	SUS304	/
3	T-Pin	6	无铅铜	Au 1u" Min. Over 50u" Min. Ni
4	Housing	1	PA9T	UL94 V-0 Color: Pantone 407C 表面纹面VDI-21
5	Magnet	2	NdFeB N52	Plating Ni

NOTES:

技术要求:

1. Electrical

电气性能

.Rated Current & Voltage : DC 12 V ; 3.0A Max.

额定电压&电流 : 直流 12 V ; 3.0A

.Contact Resistance: 50 mohm maximum

接触阻抗: 在工作高度时最大阻抗50毫欧

at Working Height(Quiescence)

2. Mechanical

机械性能

.Full store: 0.75 mm

全行程: 0.75mm

.Working Store: 0.70 mm

工作高度: 0.70mm

.Spring Force: 60gf±20%gf at Working Height

弹力: 在工作高度时弹力为60gf±20%gf

.Durability:10,000 cycles(minimum)

寿命次数:10,000次(最少)

3. Environmental

环境要求

.Operating Temperature: -25°C~+85°C

操作温度范围: -25°C~+85°C

.Humidity Range: 10%RH~90%RH

湿度范围: 10%RH~90%RH

.Salt Spray: 48 Hours

盐雾要求: 48 小时;

4. 单个磁铁与磁铁对吸拉力达到: 4.0N以上.

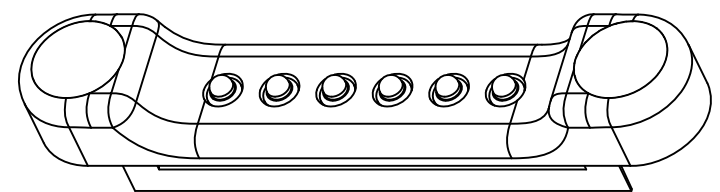
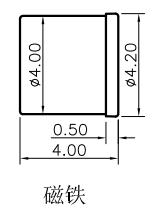
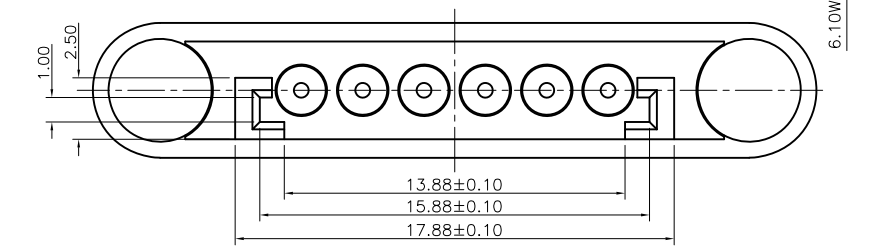
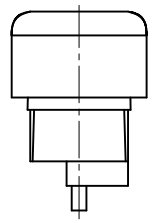
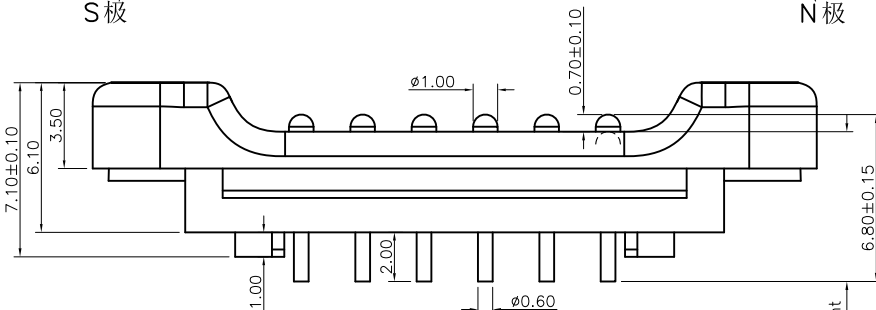
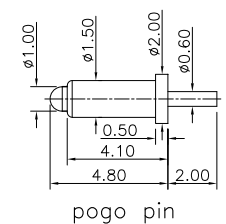
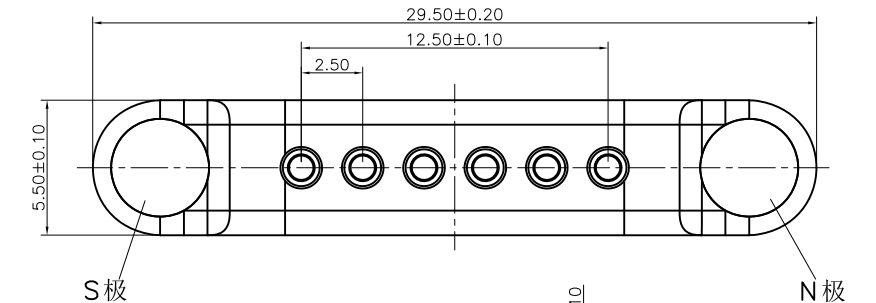
组装连接器后双磁铁对吸磁铁拉力达到: 8N以上.

5. To avoid arcing issue, The adaptor start to power supply after connector mated fully.

为了确保产品最佳性能, 请在工作高度范围内使用.

6. RoHS&HF compliant product.

符合ROHS2.0、REACH、HF、CP65无卤等环保要求.



DRAWN	CDH	DATE	2023.07.17			DongGuan SUNMON Electronics Co., Ltd.		
CHECKED		SCALE	10:1	VER.	B.0			
APPROVED		TITLE	6pin Male connector.			Ang:	Dim:	
PROJECT		DRAWING NO.	PPM.06-5471-0502B			0 ±1°	0 ±0.20	
SHEET	1 of 1	UNIT	mm			.0 ±0.5°	.0 ±0.15	
						.00 ±0.25°	.00 ±0.10	

VER.	DESCRIPTION	ECN NO.	DATE