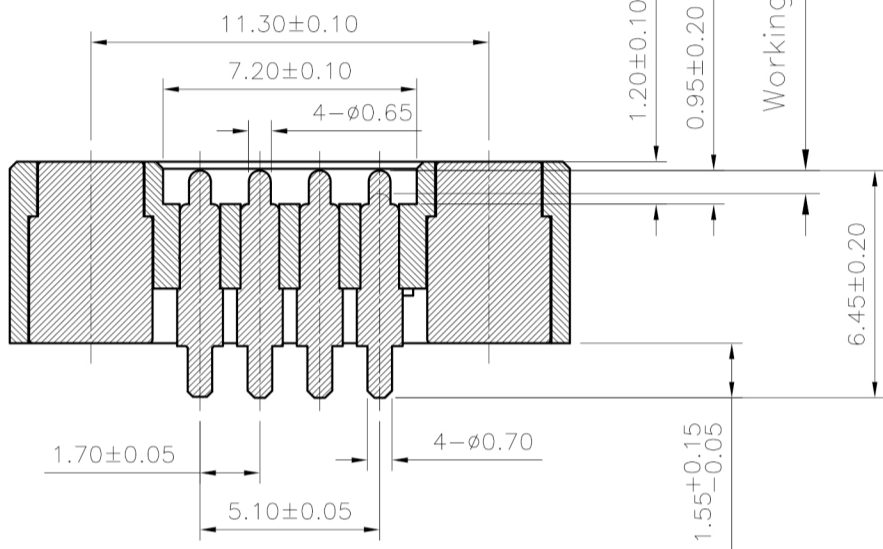
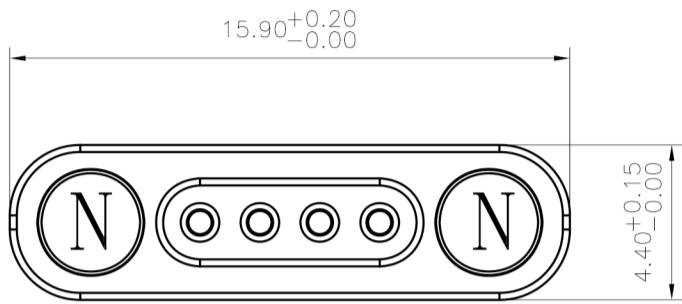
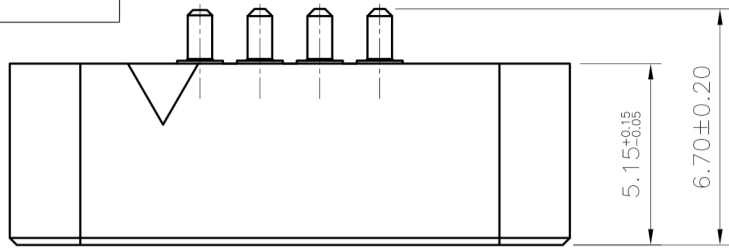


Please Approve this Drawing
Date
Signature

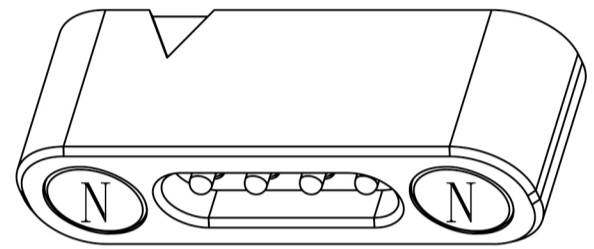
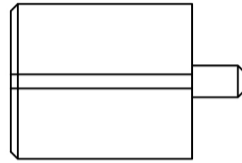


VER.	DESCRIPTION	ECN NO.	DATE

NO.	Part Name	Q'TY	Material	Plated surface
1	Plunger	4	C3604	AU 15 U" MIN
2	Barrel	4	C3604	AU 10 U" MIN
3	Spring	4	SUS304	AU 1 U" MIN.
4	Magnet	2	N52	Ni 80 U" MIN.
5	Housing	1	PA9T	UL 94V-0, Black
6	Ball	4	SUS 304	Au 3u"

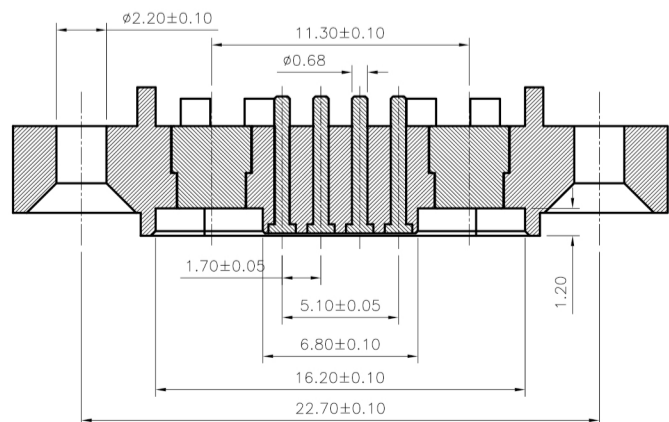
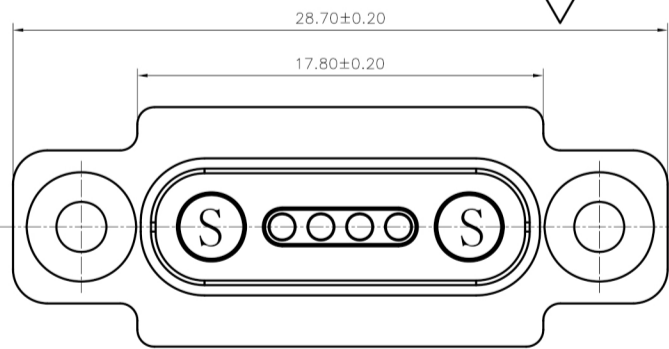
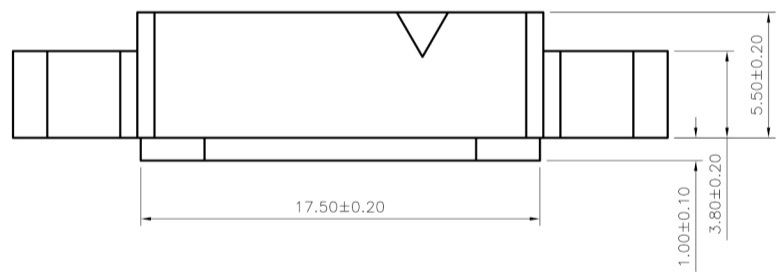
NOTES:

- Electrical
.Rated Current & Voltage : DC 12 V ; 3A max
.Contact Resistance: 50 mohm maximum at Working Height(Quiescence)
- Mechanical
.Full store: 0.90 mm
.Working Store: 0.65 mm
.Spring Force: 70gf±20gf at Normal Working Height
.Durability:10,000 cycles(minimum)
- Environmental
.Operating Temperature: -25°C~+85°C
.Humidity Range: 10%RH~90%RH
.Salt Spray: 24 Hours
- Part To Be Free Form Manufacturing Lubricants.
- When the current is greater than 1A then need to increase the time delay circuit(3 second)
- To avoid arcing issue, The adaptor start to power supply after connector mated fully.
- To ensure the best usage,please operate it based on the working height.
- .RoHs&HF compliant product.



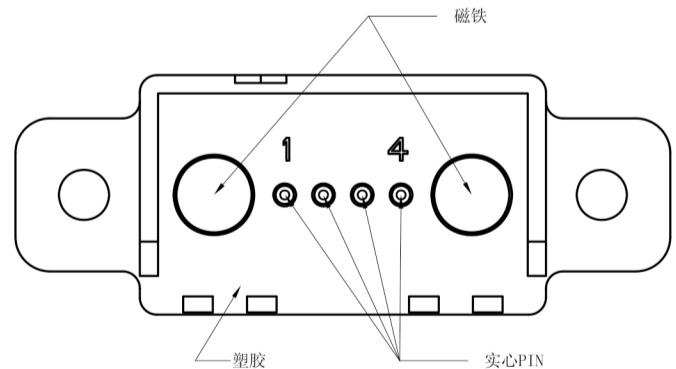
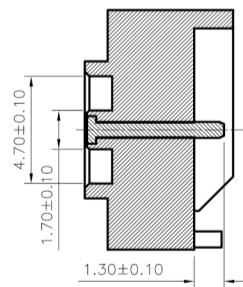
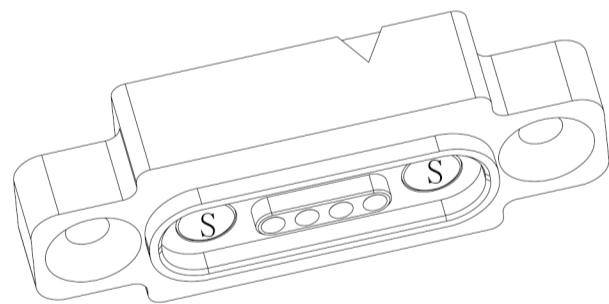
DRAWN	TONY	DATE	2020.05.12		东莞市双盟电子有限公司	
CHECKED		SCALE	10:1	VER.	B.0	
APPROVED		TITLE	pogo pin connector.		Ang:	Dim:
PROJECT		DRAWING NO.	PPM.04-877-1502		0 ±1°	0 ±0.15
SHEET	1 of 1	UNIT	mm		.0 ±0.5°	.0 ±0.10
					.00 ±0.25°	.00 ±0.05

Please Approve this Drawing
Date
Signature



VER.	DESCRIPTION	ECN NO.	DATE

NO.	Part Name	Q'TY	Material	Plated surface
1	Pin	4	磷青铜	Au 15u" Min./Pd 30u" Min. Over 50~100u" Ni
2	Housing	1	PA9T	UL 94V-0, Black
3	Magnet	2	N52	80~180u" Ni



NOTES:

- Electrical
.Rated Current & Voltage : DC 12 V ; 3 A Max
.Contact Resistance: 30 mohm maximum at Working Height(Quiescence)
- Environmental
.Operating Temperature: -25°C~+85°C
.Humidity Range: 10%RH~90%RH
.Salt Spray: 24 Hours
- .RoHs&HF compliant product.

DRAWN	Tony	DATE	2020.05.12		东莞市双盟电子有限公司	
CHECKED		SCALE	10:1	VER.	B.0	
APPROVED		TITLE	pogo pin connector.		Ang:	Dim:
PROJECT		DRAWING NO.	PPF.04-877-1502		0 ±1°	0 ±0.15
SHEET	1 of 1	UNIT	mm		.0 ±0.5°	.0 ±0.10
					.00 ±0.25°	.00 ±0.05