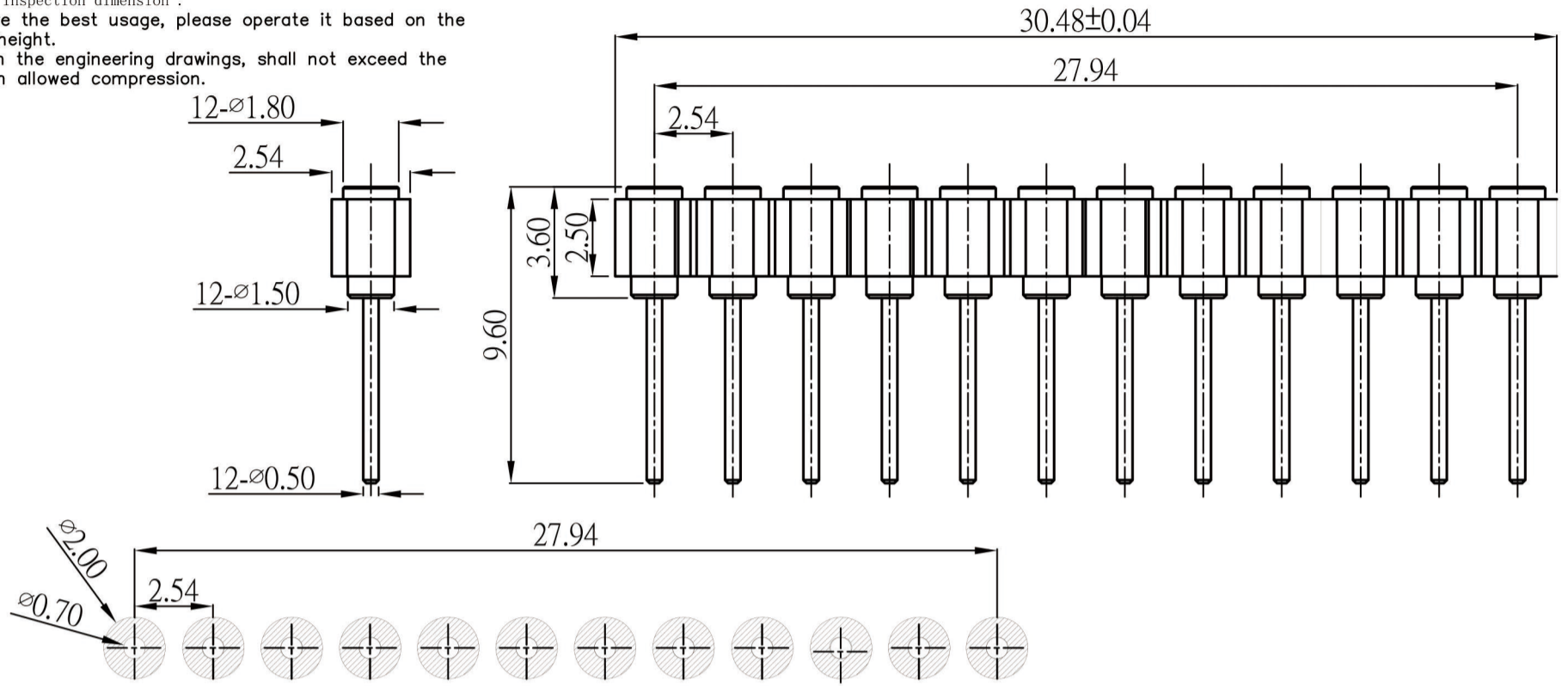


Note:
 ...Materials:
 Pin:C3602 ,plating 5U" Min Au over 60~100U" Ni min;
 Housing:Black HTN+30%GF UL94 V-0;
 ...Electrical:
 Voltage:12 V.
 Current:1.0A .
 Contact resistance:50mΩ Max at working height.
 ...ROHS or REACH compliant product.
 ...Salt spray test:48 H.
 ...& Key inspection dimension .
 To ensure the best usage, please operate it based on the working height.
 Based on the engineering drawings, shall not exceed the maximum allowed compression.

REV	Description	ECN NO	DATE
A0			2019/09/09



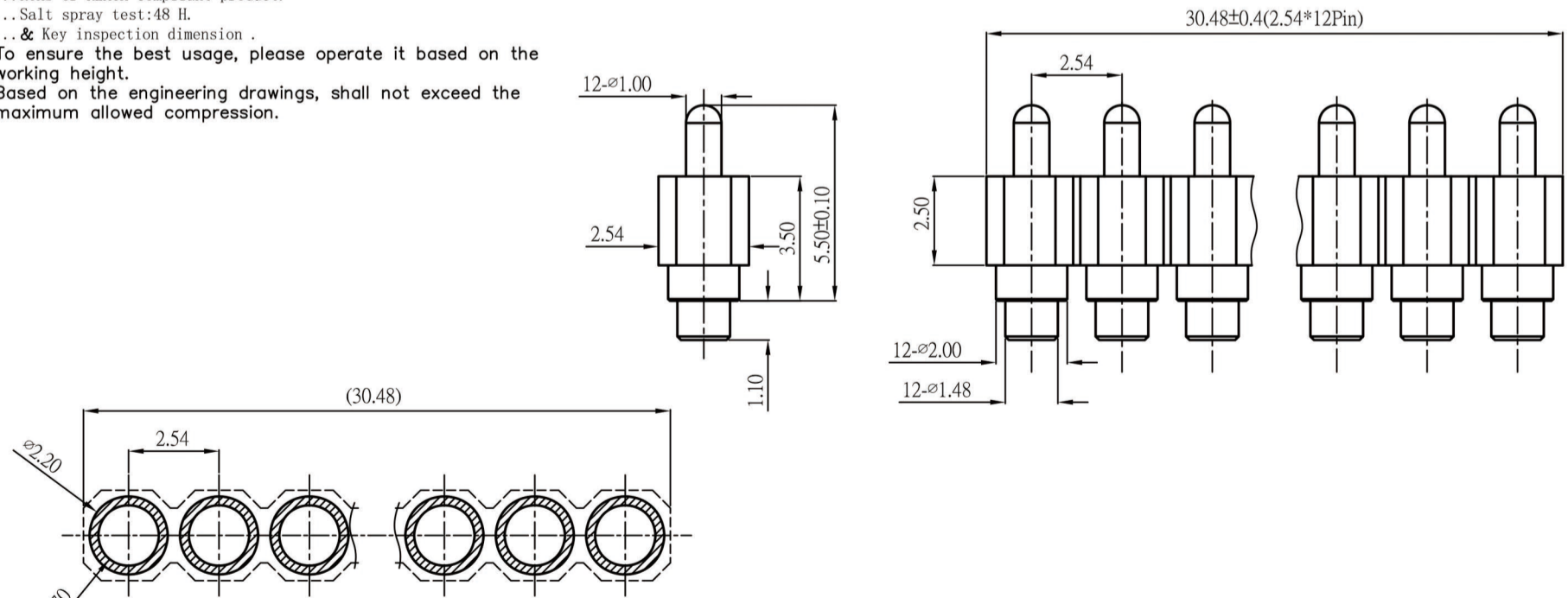
Recommended pcb layout
 Layout tolerance: ±0.05mm

东莞市双盟电子有限公司		Nuits:	mm	Tolerance		Drawn:
		Scale:	1:1	0~6	±0.05	Checked:
		Size:	A4	7~50	±0.10	Approved:
Title:	12Pin Connector	Sheet:	1/1	>50	±0.20	Other tolerance unless otherwise noted (其他公差除非另有说明)
Part NO:	PPF. 12-410-0103	Porj:		Angle:	±2°	

NO.	REV.	P/N	Name	Specification	Qty
2	A0	J0503A-05	Pin	Plating 5u" Au Min	12
1	A0	X254A1-12	Housing		1

Note:
 ...Materials:
 Plunger:C3604 ,plating 3U" Min Au over 60~100U" Ni min;
 Barrel: C3604,plating 3U" Min Au over 60~100U" Ni min;
 Spring: SUS304 .plating 1U" Min Au ;
 Housing:Black HTN+30%GF UL94 V-0;
 ...Mechanical:
 Spring force:85g±20g, at 1.0mm working height.
 Full storke:1.8mm.
 Mechanical life:10000 cycle Min.
 ...Electrical:
 Voltage:12 V.
 Current:2.0A Max.
 Contact resistance:50mΩ Max at working height.
 ...ROHS or REACH compliant product.
 ...Salt spray test:48 H.
 ...& Key inspection dimension .
 To ensure the best usage, please operate it based on the working height.
 Based on the engineering drawings, shall not exceed the maximum allowed compression.

REV	Description	ECN NO	DATE
A0			2019/09/28



Recommended pcb layout
 Layout tolerance: ±0.05mm

东莞市双盟电子有限公司		Nuits:	mm	Tolerance		Drawn:
		Scale:	1:1	0~6	±0.05	Checked:
		Size:	A4	7~50	±0.10	Approved:
Title:	12Pin Connector	Sheet:	1/1	>50	±0.20	Other tolerance unless otherwise noted (其他公差除非另有说明)
Part NO:	PPM. 12-221-0302	Porj:		Angle:	±2°	