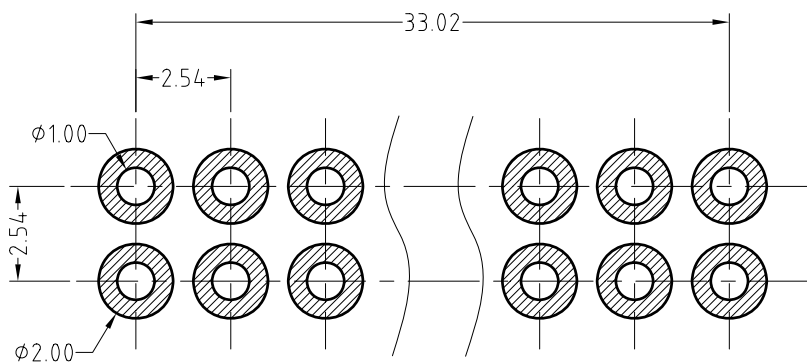
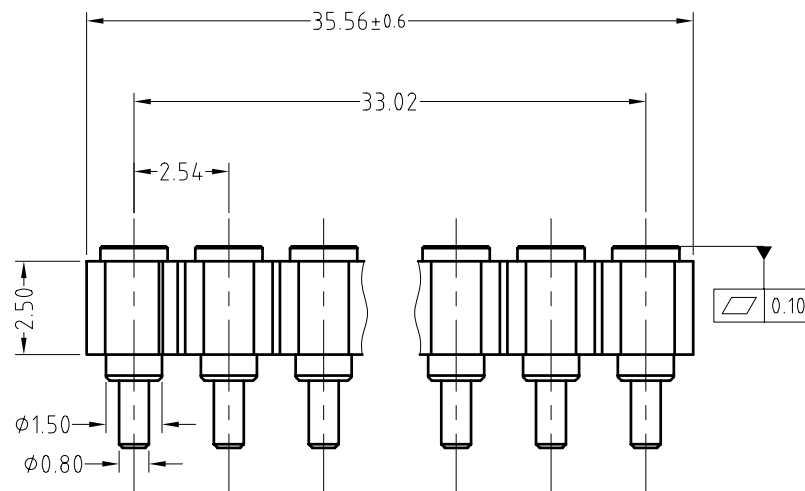
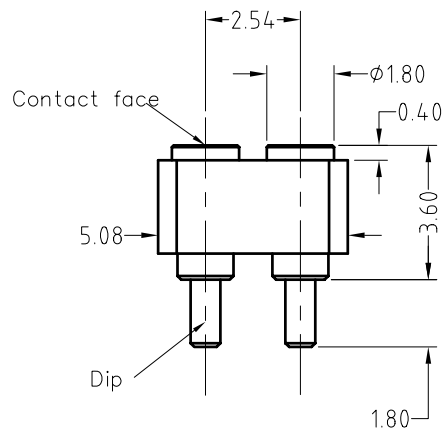


Note:
 Materials:
 .Insulator: Black high temperature plastics UI94 V-0
 .Pin: Brass 0.075um Au over Ni
 .When the current is greater than 1A then need to increase the time delay circuit(3 second)

To ensure the best usage, please operate it based on the working height.
 Based on the engineering drawings, shall not exceed the maximum allowed compression.

BOM		
Part	NO.	Qty
pin	B752-W2003	28
Housing	H245-28B01	1



Recommended pcb layout
 Layout tolerance:
 ±0.05mm

ECN(DCN) NO.	REV	DATE	DESCRIPTION
	D0	2018.03.14	NEW

SCALE	10:1	UNIT:mm	THIS DOCUMENT IS THE SOLE PROPERTY OF Suntech Electronics Co.,Ltd AND SHOULD NOT BE USED IN WHOLE OR IN PART WITHOUT PRIOR WRITTEN PERMISSION.
ANGEL	±2°	A4	
0~6	±0.10		SHEET: 1 of 1
6~30	±0.20	DRAW	
30~150	±0.30	CHECK	
GENERAL TOLERANCE UNLESS OTHERWISE NOTED		APPRO	

东莞市双盟电子有限公司

PART NO. PPF.28-5204-0103

FILE NAME BP75204

TITLE. Pogo pin connector