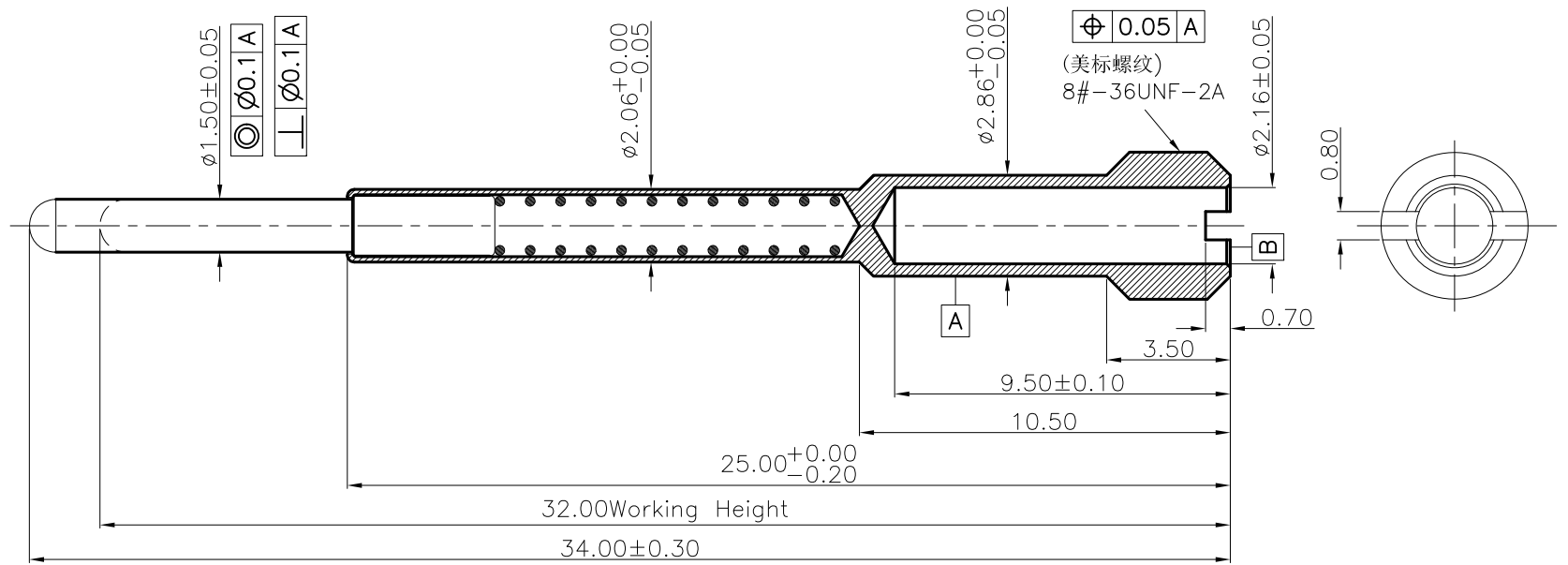


Please Approve this Drawing

Date

Signature

NO.	Part Name	Q'TY	Material	Plated surface
1	Plunger	1	无铅铜	Au 12u" Min. Over 50~120u" Ni
2	Barrel	1	无铅铜	Au 12u" Min. Over 50~120u" Ni
3	Spring	1	SUS	绝缘处理



NOTES:

- Electrical
 - .Rated Current & Voltage : DC 300 V ; 8.0A
 - .Contact Resistance: 100 mohm maximum at Working Height(Quiescence)
- Mechanical
 - .Max. compression: 30.00 mm
 - .Spring Force : 350g $\pm 20\%$ g at Working Height
 - .Spring Force : 600g $\pm 20\%$ g at Max. compression
 - .Durability:10,000 cycles(minimum)
- Environmental
 - .Operating Temperature: -30°C~+120°C
 - .Humidity Range: 10%RH~90%RH
 - .Salt Spray: 48 Hours
- When the current is greater than 1A then need to increase the time delay circuit(3 second)
- To avoid arcing issue, The adaptor start to power supply after connector mated fully.
- To ensure the best usage, please operate it based on the working height.
- .RoHS&HF compliant product.

DRAWN	CDH	DATE	2022.11.11			东莞市双盟电子有限公司			
CHECKED		SCALE	10:1	VER.	A.0				
APPROVED		TITLE	pogo pin			Ang:	Dim:		
PROJECT		DRAWING NO.	PPM.01-5375-1202			0	$\pm 1^\circ$	0	± 0.15
SHEET	1 of 1	UNIT	mm			.0	$\pm 0.5^\circ$.0	± 0.10
						.00	$\pm 0.25^\circ$.00	± 0.05

VER.	DESCRIPTION	ECN NO.	DATE