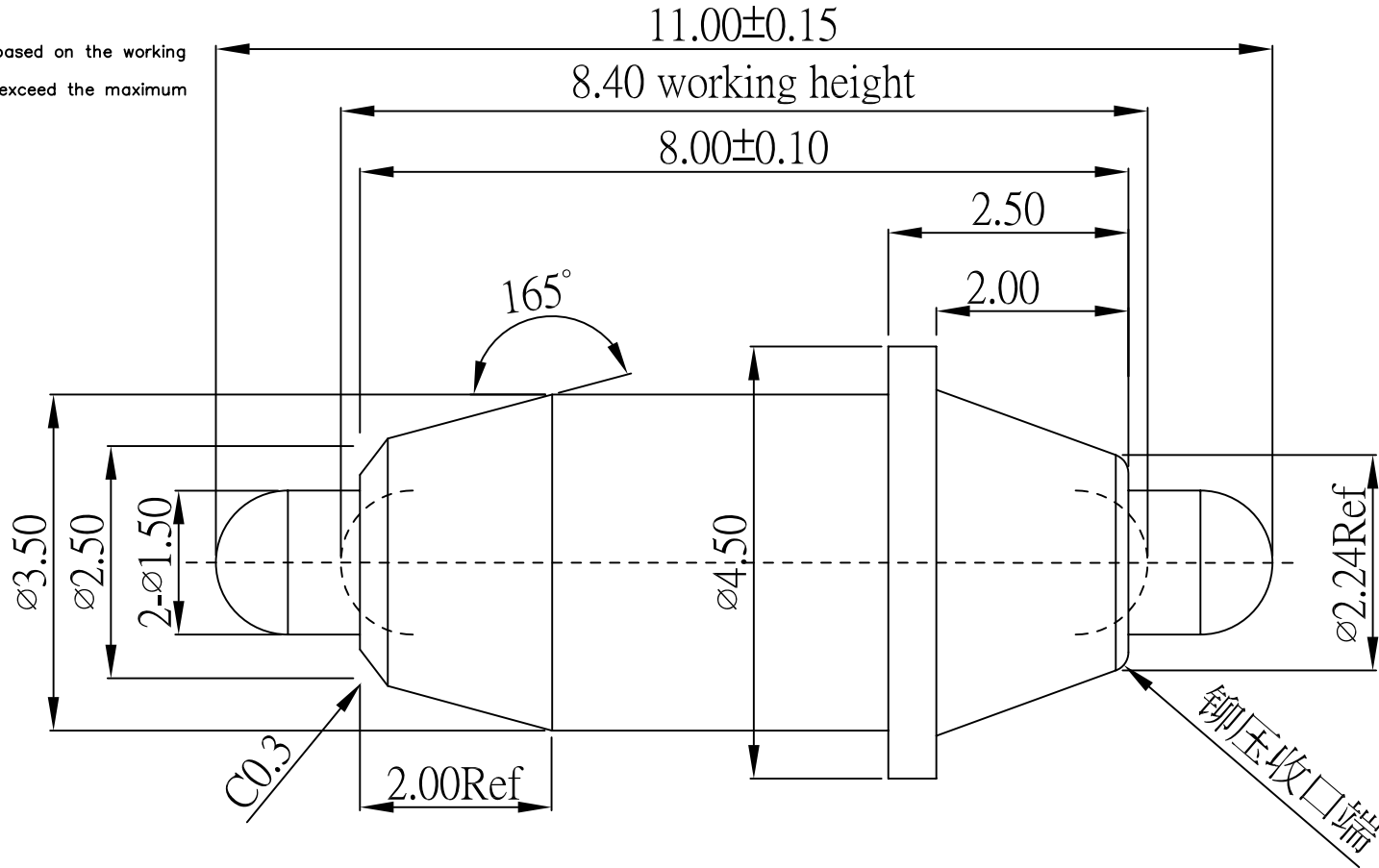


Note:  
 ... Materials:  
 Plunger: **Brass** C3604 ,plating 5U" Min Au over 60~100U" Ni min.  
 Barrel: **Brass** C3604 ,plating 5U" Min Au over 60~100U" Ni min.  
 Spring: SUS304 .  
 ... Mechanical:  
 Spring force:80g±20g, at 2.6mm working storek.  
 Full storek:3.0mm.  
 Mechanical life:30000 cycle Min.  
 ... Electrical:  
 Voltage:12.0 V.  
 Current:2.0A .  
 Single pin Contact resistance:50mΩ Max at working height.  
 ... Environment performance:  
 Operating Temperature:-40℃~+130℃ within 24 hours.  
 Resistance to Solding hear:260℃±5℃ 20s±2s.  
 ... ROHS or REACH compliant product.  
 ... Salt spray test:48 H.  
 ... & Key inspection dimension .

**To ensure the best usage, please operate it based on the working height.**  
**Based on the engineering drawings, shall not exceed the maximum allowed compression.**

REV	Description	ECN NO	DATE
T0	———	———	2019/11/21
T1	增加C角	———	2019/12/03



东莞市双盟电子有限公司

Nuits:	mm	Tolerance	Drawn:	
Scale:	1:1	0~6 ±0.05	Checked:	
Size:	A4	7~50 ±0.10	Approved:	
Title:	Pogo pin	Sheet: 1/1 >50 ±0.20	Other tolerance unless otherwise noted (其他公差除非另有说明)	
Part NO:	PPM.01-535-0502	Porj:	Angle: ±2°	