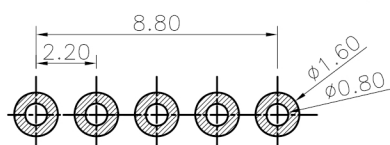
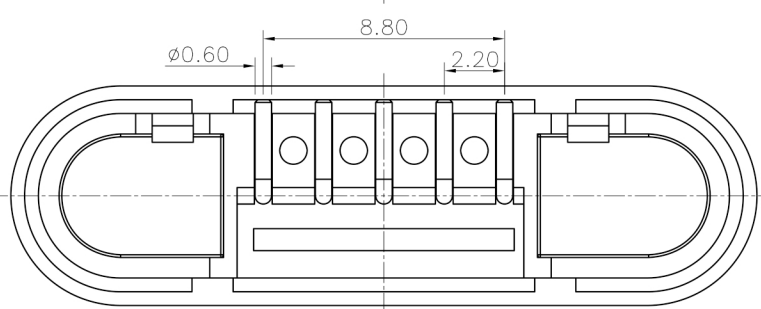
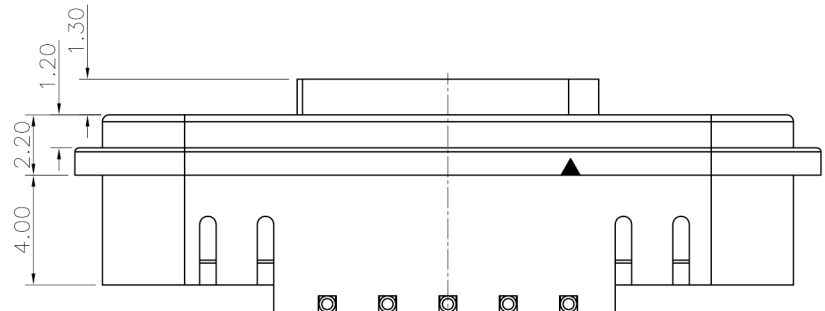
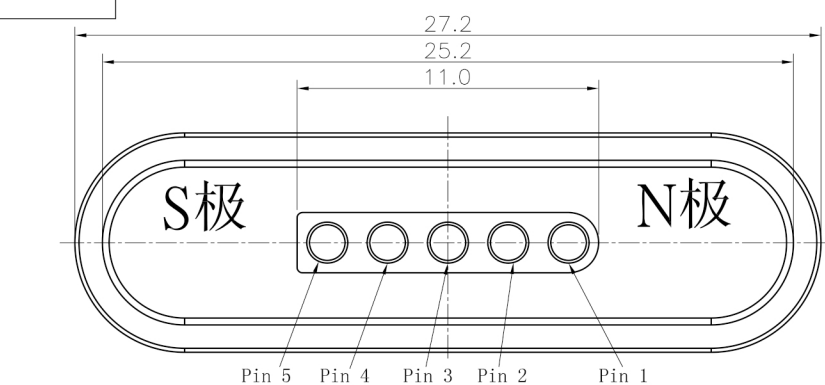


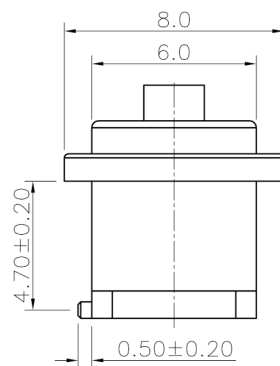
Please Approve this Drawing
Date
Signature

NO.	Part Name	Q'TY	Material	Plated surface
1	Pin	5	HB159-1	Au 5u" Min. Over 50u" Min. Ni
2	Housing	1	High temp.Plastic; UL94 V-0 Color Black	
3	Magnet	2	NdFeB N35	Plating Ni
4				
5				



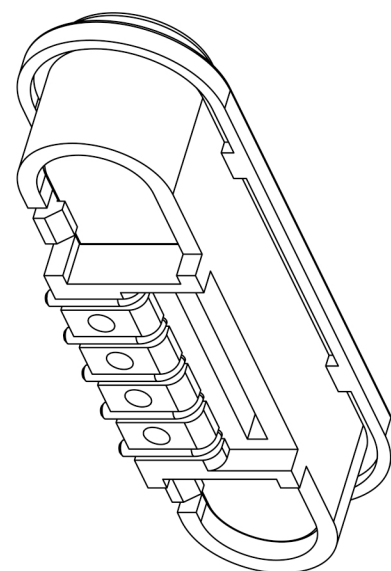
Recommended pcb layout
Layout tolerance: ±0.05mm

VER.	DESCRIPTION	ECN NO.	DATE



NOTES:

- Electrical
 - .Rated Current & Voltage : DC 12 V ; 2.0A
 - .Contact Resistance:50 mohm maximum at Working Height(Quiescence)
 - .Insulation Resistance: 1000MΩ Min. at 1000VDC/Minute
 - .Dielectric Withstanding Voltage: At 500VAC/Minute No Breakdown
- Environmental
 - .Operating Temperature: -20°C~+80°C
 - .Humidity Range: 10%RH~90%RH
 - .Salt Spray: 48 Hours
- RoHs&HF compliant product.
- 公母配对公差±0.15



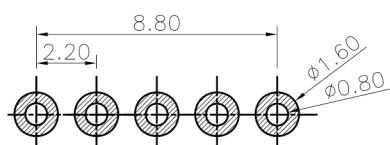
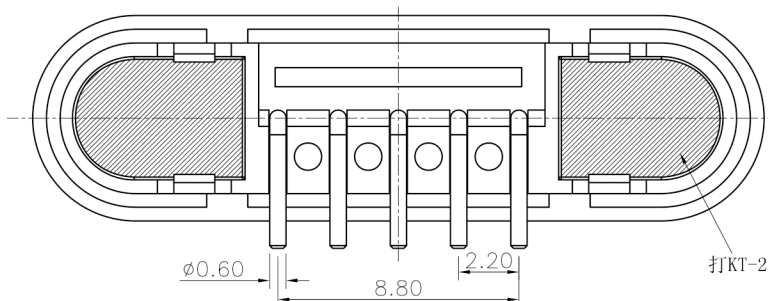
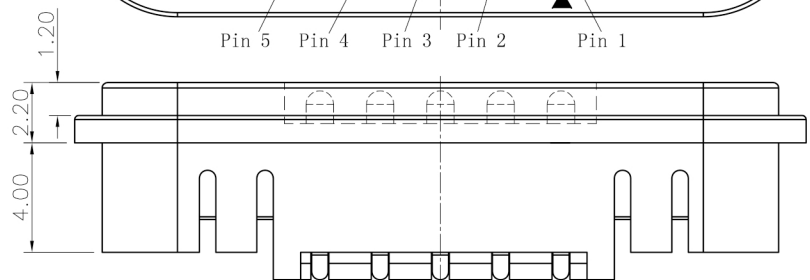
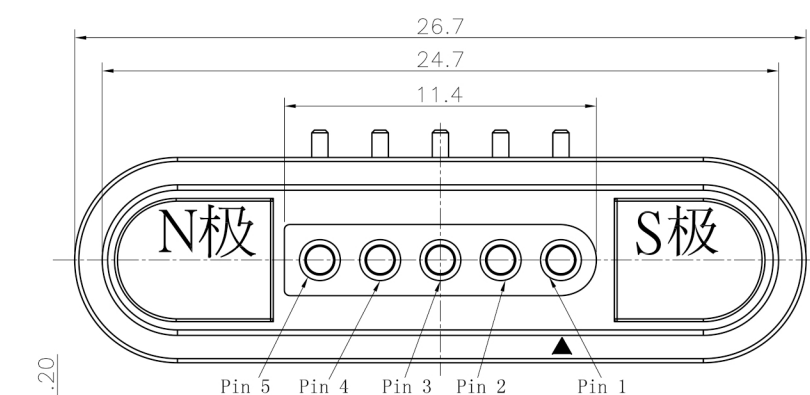
DRAWN	lys	DATE	2020.12.10	东莞市双盟电子有限公司	
CHECKED		SCALE	10:1	VER.	B.0
APPROVED		TITLE	pin connector.	Ang:	Dim:
PROJECT		DRAWING NO.	PPF.05-234-0501	0 ±1°	0 ±0.20
SHEET	1 of 1	UNIT	mm	.0 ±0.5°	.0 ±0.15
				.00 ±0.25°	.00 ±0.10

Please Approve this Drawing
Date
Signature

NO.	Part Name	Q'TY	Material	Plated surface
1	PoGo Pin	5	HB159-1	Au 5u" Min. Over 50u" Min. Ni
2	Housing	1	High temp.Plastic; UL94 V-0 Color Black	
3	Magnet	2	NdFeB N35	Plating Ni
4				
5				

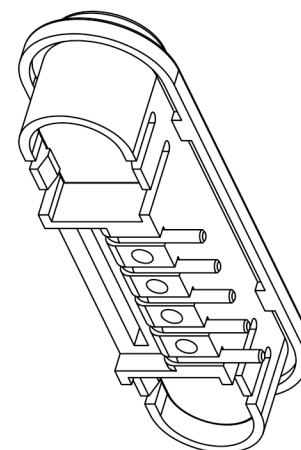
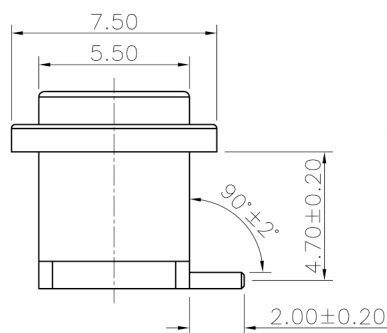
NOTES:

- Electrical
 - .Rated Current & Voltage : DC 12 V ; 2.0A Max.
 - .Contact Resistance: 50 mohm maximum at Working Height(Quiescence)
- Mechanical
 - .Full store: 1.20 mm
 - .Working Store: 1.00 mm
 - .Spring Force: 80gf±20gf at Working Height
 - .Durability:10,000 cycles(minimum)
- Environmental
 - .Operating Temperature: -25°C~+85°C
 - .Humidity Range: 10%RH~90%RH
 - .Salt Spray: 48 Hours
- When the current is greater than 1A then need to increase the time delay circuit(3 second)
- To avoid arcing issue, The adaptor start to power supply after connector mated fully.
- To ensure the best usage,please operate it based on the working height.
- .RoHs&HF compliant product.
- 公母配对公差±0.15



Recommended pcb layout
Layout tolerance: ±0.05mm

VER.	DESCRIPTION	ECN NO.	DATE



DRAWN	lys	DATE	2020.12.02	东莞市双盟电子有限公司	
CHECKED		SCALE	10:1	VER.	B.0
APPROVED		TITLE	pogo pin connector.	Ang:	Dim:
PROJECT		DRAWING NO.	PPM.05-234-0502	0 ±1°	0 ±0.20
SHEET	1 of 1	UNIT	mm	.0 ±0.5°	.0 ±0.15
				.00 ±0.25°	.00 ±0.10