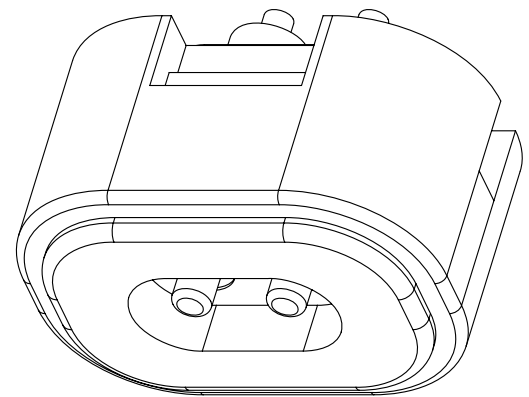


NOTES:

1. Electrical  
 .Rated Current & Voltage : DC 12 V ; 2 A  
 .Contact Resistance: 50 mohm maximum at Working Height(Quiescence)
2. Mechanical  
 .Full store: 0.70 mm  
 .Working Store: 0.60 mm  
 .Spring Force: 60gf±15gf at Normal Working Height  
 .Durability:10,000 cycles(minimum)
3. Environmental  
 .Operating Temperature: -25°C~+85°C  
 .Humidity Range: 10%RH~90%RH  
 .Salt Spray: 48 Hours
4. Part To Be Free Form Manufacturing Lubricants.
5. When the current is greater than 1A then need to increase the time delay circuit(3 second)
6. To avoid arcing issue, The adaptor start to power supply after connector mated fully.
7. To ensure the best usage,please operate it based on the working height.
8. .RoHs&HF compliant product.

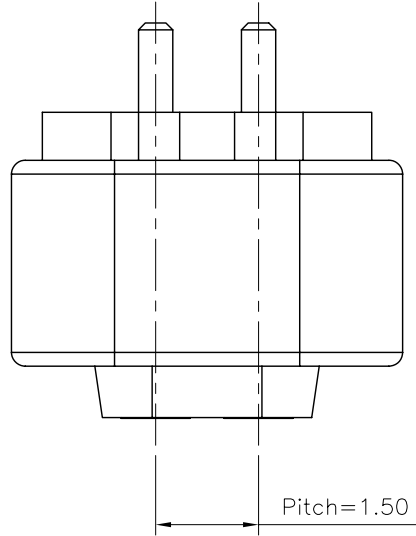


RECOMMEND PCB LAYOUT  
 Layout Tolerance: ±0.05mm

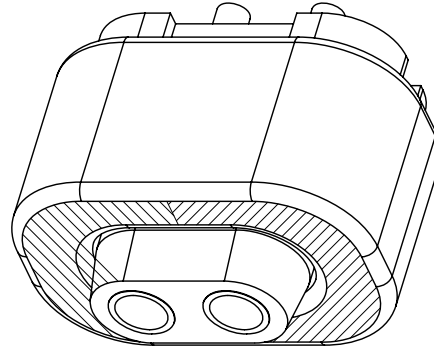
5	Housing	1	PA4T,UL 94V-0,Black	
4	Magnet	1	Ni Plated	
3	Spring	5	SUS 304	YT-005-01A
2	Barrel	5	C3604, Au 3u" Min. Over Nick	YK-005-03C
1	Plunger	5	C3604, Au 5u" Min. Over Nick	YP-005-05A
No.	P/NAME	QTY	Material Specification	Part/Nuber

## 东莞市双盟电子有限公司

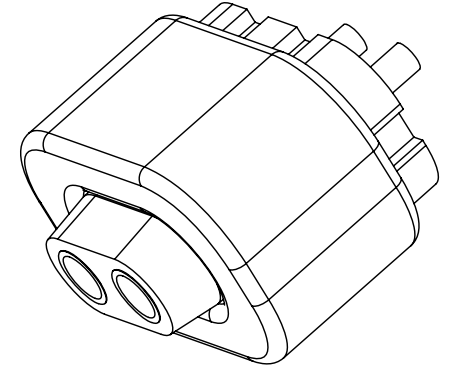
GENERAL TOLERANCES UNLESS SPECIFIED		TITLE		DRAWING NO.		SHEET	
.X±	0.70	X.°±	5°	5Pin Pogo Pin Magnet Connector		1 / 1	
.XX±	0.50	X.°±	3°	SERIES		PPM. 02-933-0502	
.XXX±	0.30	X.°±	1°	THIRD ANGLE PROJECTION		REV	
SIZE	UNITS	APPROVED BY	CHECKED BY	DRAWN BY	Date	REV	
A4	mm[inch]	ROY.WEI	JERRY	LUCX	2018/07/20	Y0	



S POLE



Pin 1



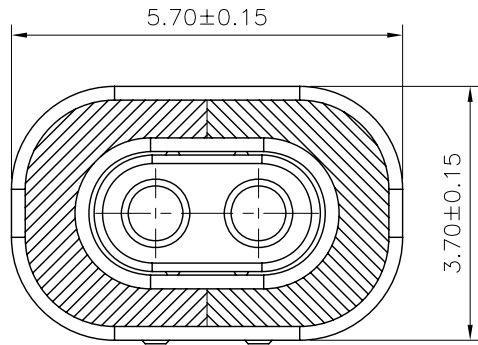
N POLE

Pin 2

Pitch=1.50

Pin 2

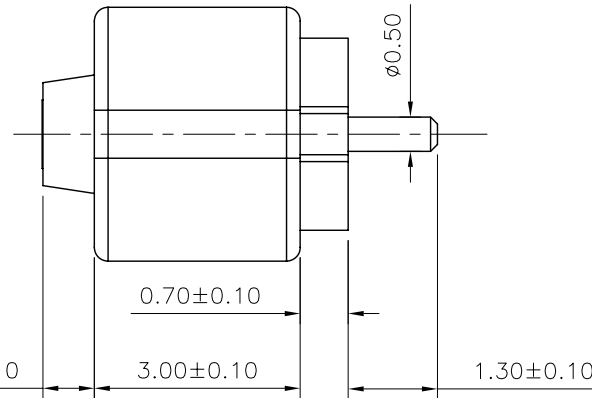
Pin 1



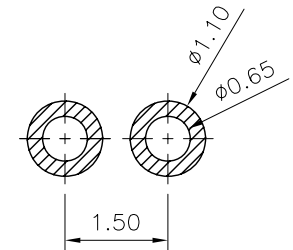
N POLE

Pin 1

Pin 2



S POLE



RECOMMEND PCB LAYOUT  
Layout Tolerance: ±0.05mm

NOTES:

1. Electrical
  - .Rated Current & Voltage : DC 12 V ; 1 A
  - .Contact Resistance: 30 mohm maximum at Working Height(Quiescence)
2. Environmental
  - .Operating Temperature: -25°C~+85°C
  - .Humidity Range: 10%RH~90%RH
  - .Salt Spray: 48 Hours
- 3 .RoHs&HF compliant product.

No.	P/NAME	QTY	Material Specification
3	Housing	1	PA4T,UL 94V-0,Black
2	Magnet	1	Ni Plated
1	Pin	2	C3604, Au 10u" Min. Over Nick

# 东莞市双盟电子有限公司

GENERAL TOLERANCES UNLESS SPECIFIED		TITLE 2Pin Pogo Pin Magnet Female Connector			
X ± 0.70	X.° ± 5°	SERIES		DRAWING NO.	
.XX ± 0.50	X.° ± 3°			PPF.02-933-1002	
.XXX ± 0.30	X.° ± 1°			SHEET 1 / 1	
SIZE	UNITS	THIRD ANGLE PROJECTION	APPROVED BY	CHECKED BY	DRAWN BY
A4	mm[inch]		ROY.WEI	JERRY	LUCX
			Date	REV	
			2019/01/22	Y0	