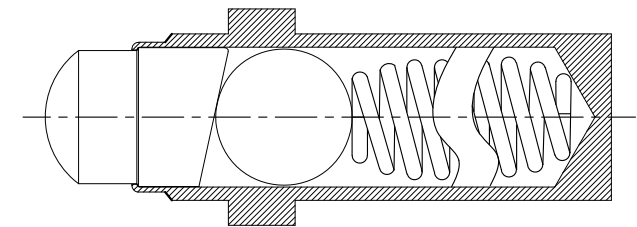
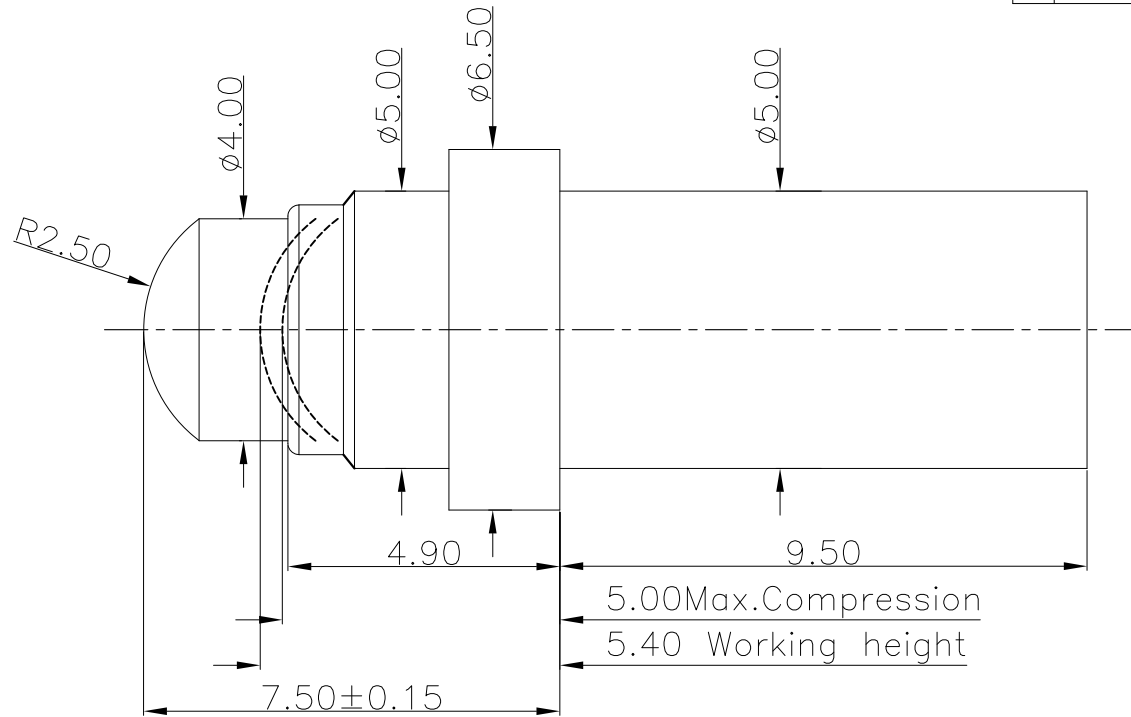


Please Approve this Drawing	
Date	
Signature	

NO.	Part Name	Q'TY	Material	Plated surface
1	Plunger	1	HBi59	AU 30 U" MIN OVER 60~100 U" NI
2	Barrel	1	HBi59	AU 15 U" MIN OVER 60~100 U" NI
3	Spring	1	SUS	绝缘处理
4	Ball	1	氧化锆	/



NOTES:

- Electrical
 - .Rated Current & Voltage : DC 12 V ; 30.0A
 - .Contact Resistance: 50 mohm maximum at Working Height(Quiescence)
- Mechanical
 - .Full store: 2.50 mm
 - .Working Store: 2.10 mm
 - .Spring Force: 200gf \pm 20gf at Working Height
 - .Durability:20,000 cycles(minimum)
- Environmental
 - .Humidity Range: 10%RH~90%RH
 - .Salt Spray: 48 Hours
- To avoid arcing issue, The adaptor start to power supply after connector mated fully.
- To ensure the best usage, please operate it based on the working height.
- .RoHs&HF compliant product.

DRAWN	ysl	DATE	2022.05.06		东莞市双盟电子有限公司	
CHECKED		SCALE	10:1	VER.		
APPROVED		TITLE	pogo pin		Ang:	Dim:
PROJECT		DRAWING NO.	PPM.01-579-3002		0 \pm 1°	0 \pm 0.15
SHEET	1 of 1	UNIT	mm		.0 \pm 0.5°	.0 \pm 0.10
					.00 \pm 0.25°	.00 \pm 0.05

VER.	DESCRIPTION	ECN NO.	DATE