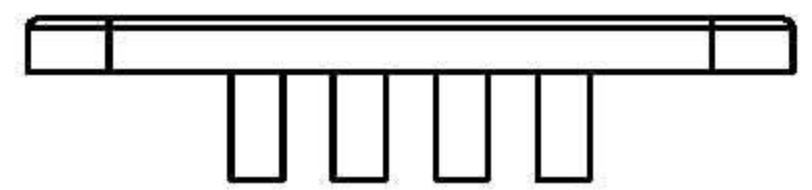
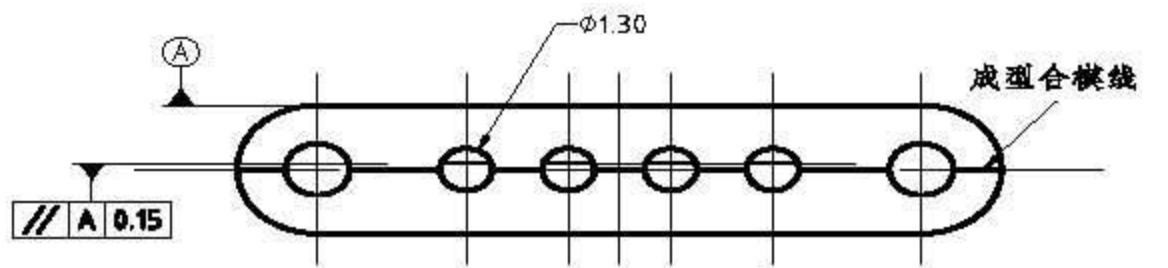
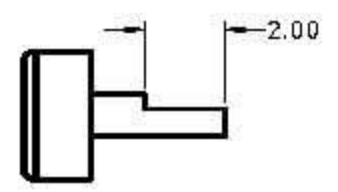
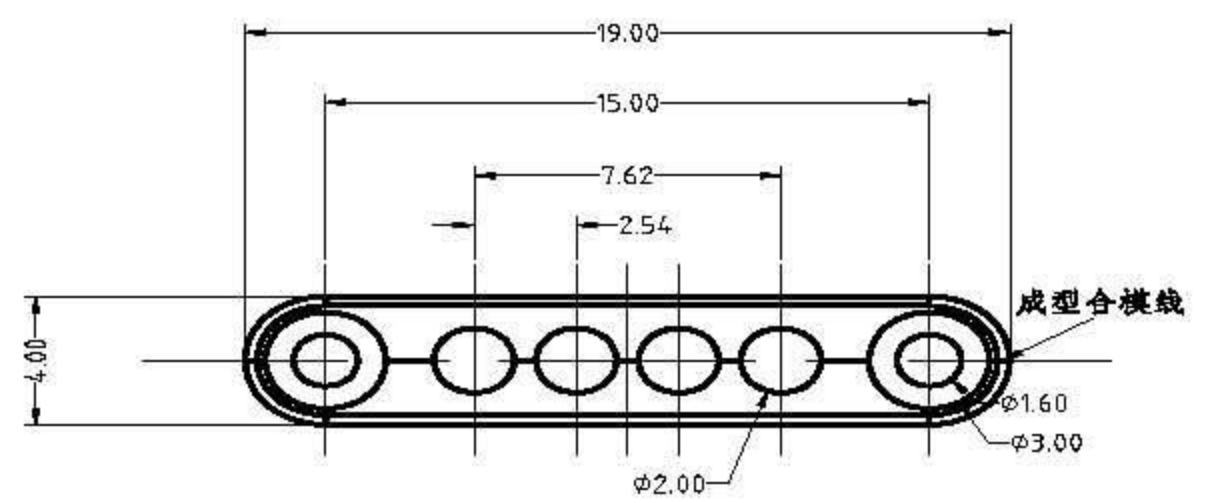
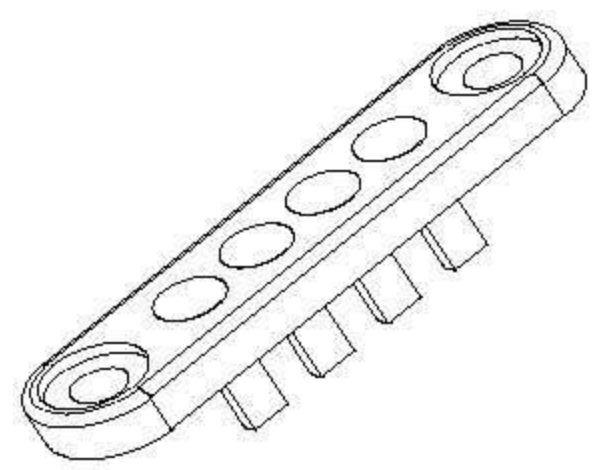
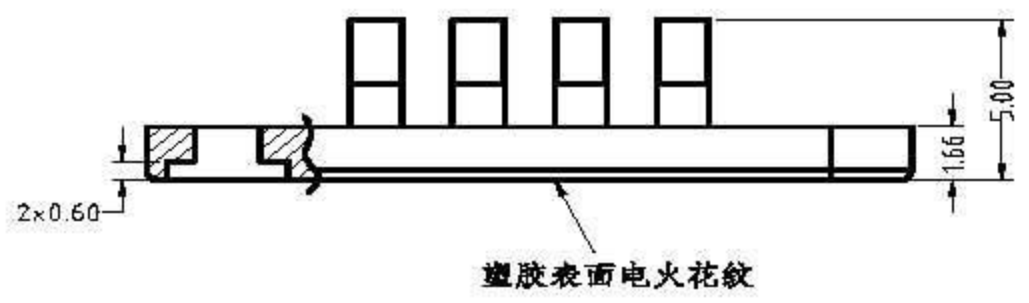


Note:
 Materials:
 .Insulator: Black high temperature plastics UI94 V-0
 .Plunger: Brass 0.075um Au over Ni
 Electrical:
 .Rated current & voltage: DC12V; 3A Max.
 .Contact resistance: 50 milliohm Max.
 Standard tolerances are:
 .Diameters: +/-0.05mm
 .Lengths: +/-0.15mm
 .Angles: +/-2°



	T1	2016.05.17	去掉LOGO
	A0	2016.05.13	NEW
ECN(DCN) NO.	REV	DATE	DESCRIPTION

SCALE	10:1	UNIT:mm	THIS DOCUMENT IS THE SOLE PROPERTY OF Suntech Electronics Co.,Ltd AND	
ANGEL	±2°	A4		
0~6	±0.10		SHEET: 1 of 1	
6~30	±0.20	DRAW		
30~150	±0.30	CHECK		
GENERAL TOLERANCE UNLESS OTHERWISE NOTED		APPRO		

东莞市双盟电子有限公司

PART NO.	PPF.04-636-0302
FILE NAME	636XX
TITLE.	Pogo pin connector